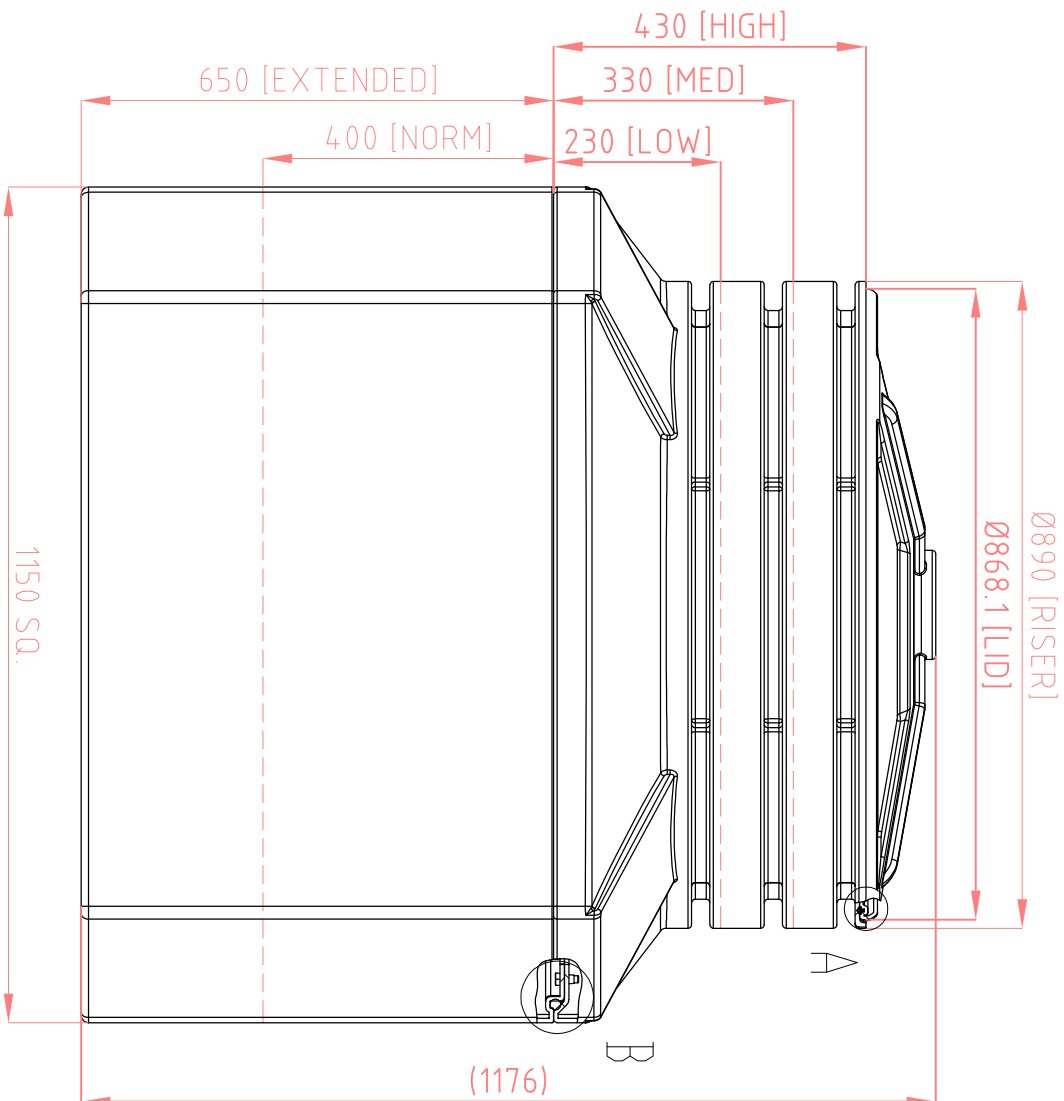
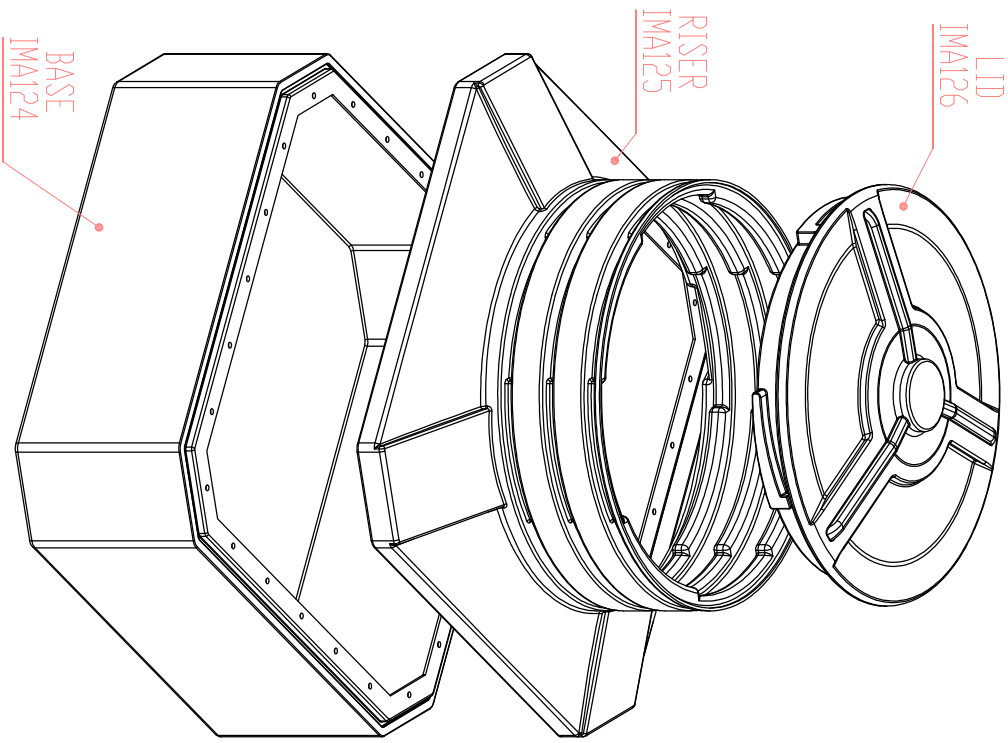


ISS.	DATE	DRAWN	DETAILS
01	02/06/10	ISB	First Issue.
02			
03			

DO NOT SCALE DRAWING

DWG No.
IMA123



DATE	ISSUE	REASON FOR ISSUE	CHG'D	SCALE	DRAWN	CHECKED	DATE	SCALE	TITLE	PROPERTY	DISCLAIMER	DRAWING NUMBER
24-06-10	A	Final Issue	JRH	1:1	JRH	NMH	24-06-10	1:1	CTS1150-1150 Tank Sump Assembly Exploded View	MD Polyethylene unless otherwise stated	This drawing and any descriptive matter or information set out hereon, is the property of Forecourt Solutions Ltd who are the owners of the copyright, and must not be disclosed, loaned, copied or used for manufacturing, tendering or for any other purpose without their written permission.	CTS1150-1150-1

FORECOURT SOLUTIONS LTD
 UNIT F, THISTLE PARK, CROSSWAYS ROAD,
 SHOWGROUND BUSINESS PARK, BRIDGWATER
 SOMERSET, TA6 6LS, UK
 TEL: +44 1278428833, FAX: +44 1278 459808

DRAWING NUMBER

CTS1150-1150-1